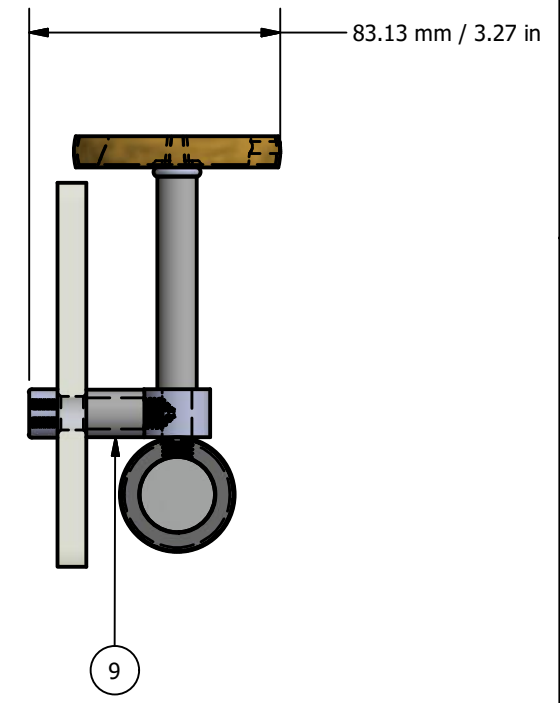
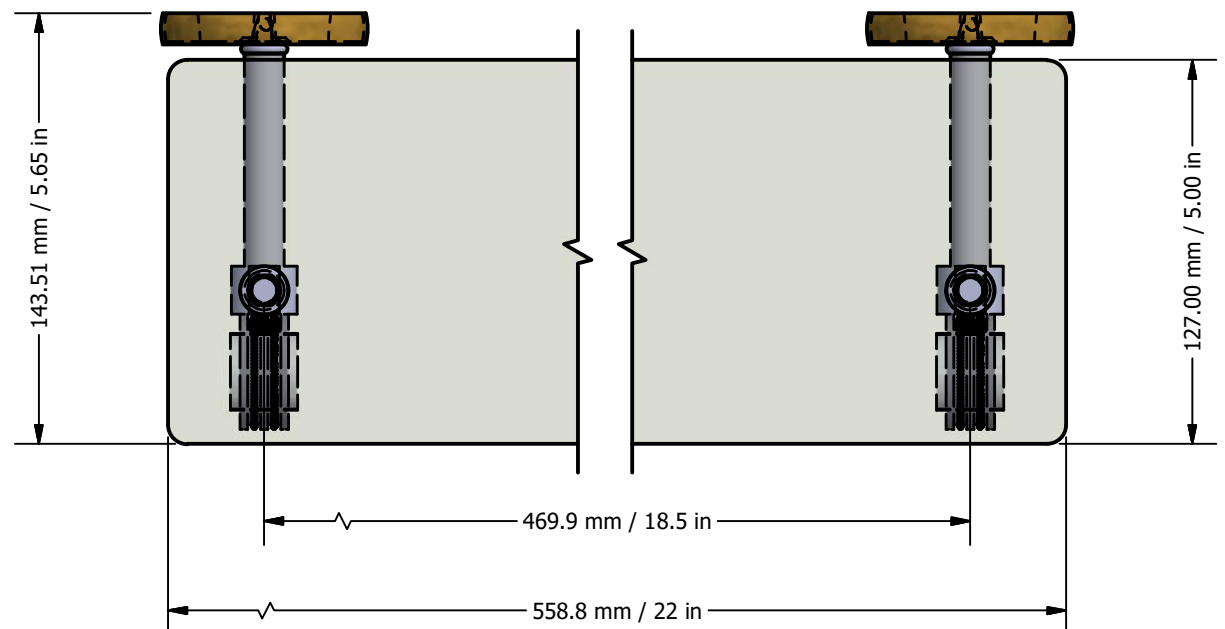
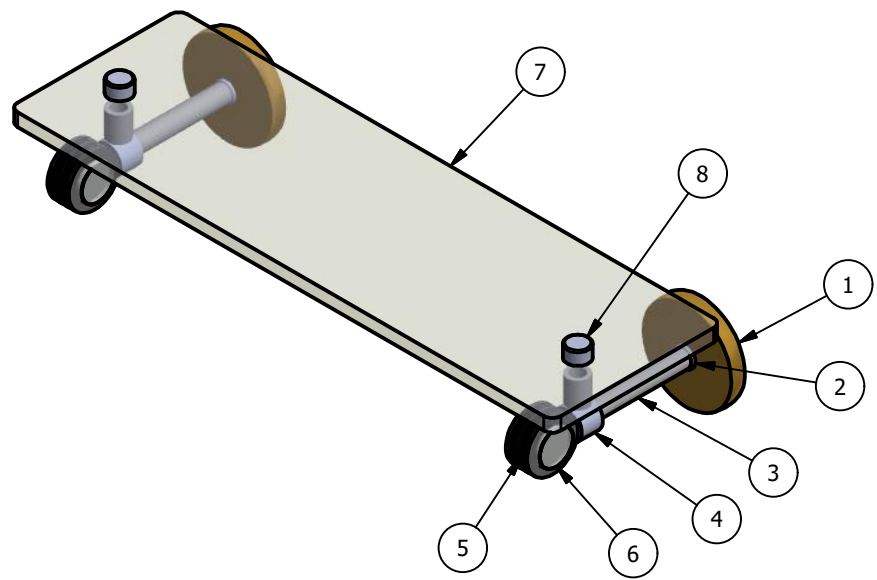


2

1

PARTS LIST

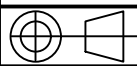
ITEM	QTY	PART NUMBER	DESCRIPTION
1	2	BPRD	BACKPLATE
2	4	CRRD-12	CHECK RING
3	2	TU12-3	TUBE
4	2	MR-TILT-FITT	CONNECTOR
5	2	RGDTT-1	RING WITH NEW SIZE HOLE
6	2	AC-HHUB	ACRYLIC HUB
7	1	GLRT-22	22" GLASS
8	2	CARD-58	CAP
9	2	PSRDS-58	HUB



UNLESS OTHERWISE SPECIFIED	
.X	± .3mm
.XX	± .15mm
.XXX	± .008mm

UNIT IS IN MM.

DRAWN	10-15-18	IM	MATERIAL:	BRASS
CHECKED	10-15-18	P.D.	DESCRIPTION:	
APPROVED	10-15-18	R.A.	Clearview Collection 22 Inch Glass Shelf w/ Dotted Accent	



THIRD ANGLE PROJECTION



APPROVED FOR PRODUCTION
 By: RICHARD PAUL
 Date: 10-15-18

FINISH	TBD
QTY	TBD
DRAWING NO.	REV
CV-1D-22	0
SCALE	1.5:1 SHEET: 1 OF 1 A4

2

1